

High Clamping Torque NC Rotary Table

GT series

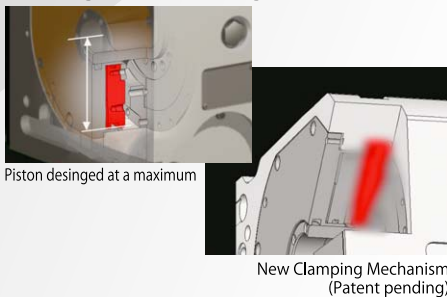
**Complete
Series**

**NC Rotary Table suitable
for heavy machining**



Features

High Clamping Torque

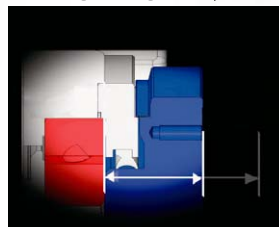


Piston designed at a maximum

New Clamping Mechanism
(Patent pending)

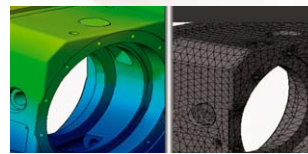
Increased clamping torque is achieved by increased piston area and new clamping mechanism.

High rigidity



Moment loading reduced

Rigid Body Design allowing heavy machining. Improved Brake Piston design reduces distortion.

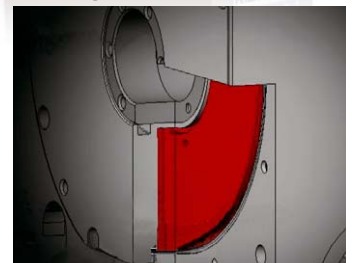


Perfect design



Best Clamping

High Speed



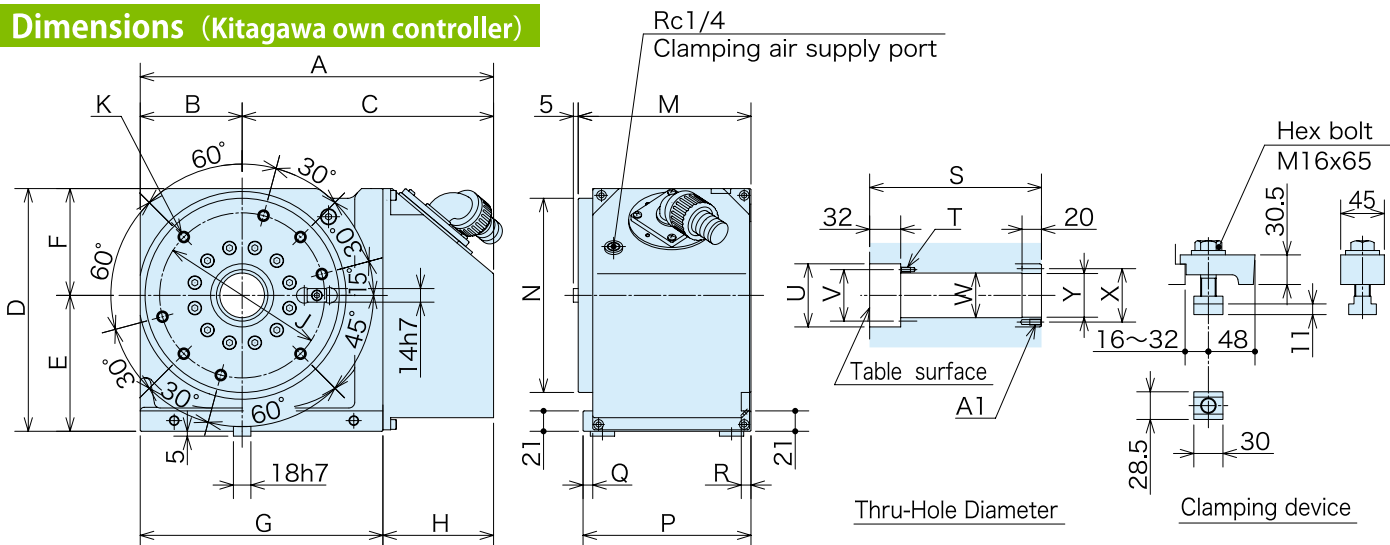
Air circuit improved

High clamping Torque allows increased machining speed. Improved clamping speed reduces takt time.

Specifications

Model	Table dia mm	Center Height mm	Register diameter on Face Plate mm	Spindle through hole diameter mm	Gear ratio	Clamping method	Clamping torque N·m	Max. spindle speed min ⁻¹	Indexing accuracy Sec	Repeatability Sec	Mass of product kg
GT200	φ 200	140	φ 65	φ 45	1/72	Pneumatic	820	41.6	20	4	65
GT250	φ 250	180	φ 100	φ 70	1/90		1600	33.3			87
GT320	φ 320	225	φ 130	φ 105	1/120		2800	25.0 (16.6)			145

Dimensions (Kitagawa own controller)

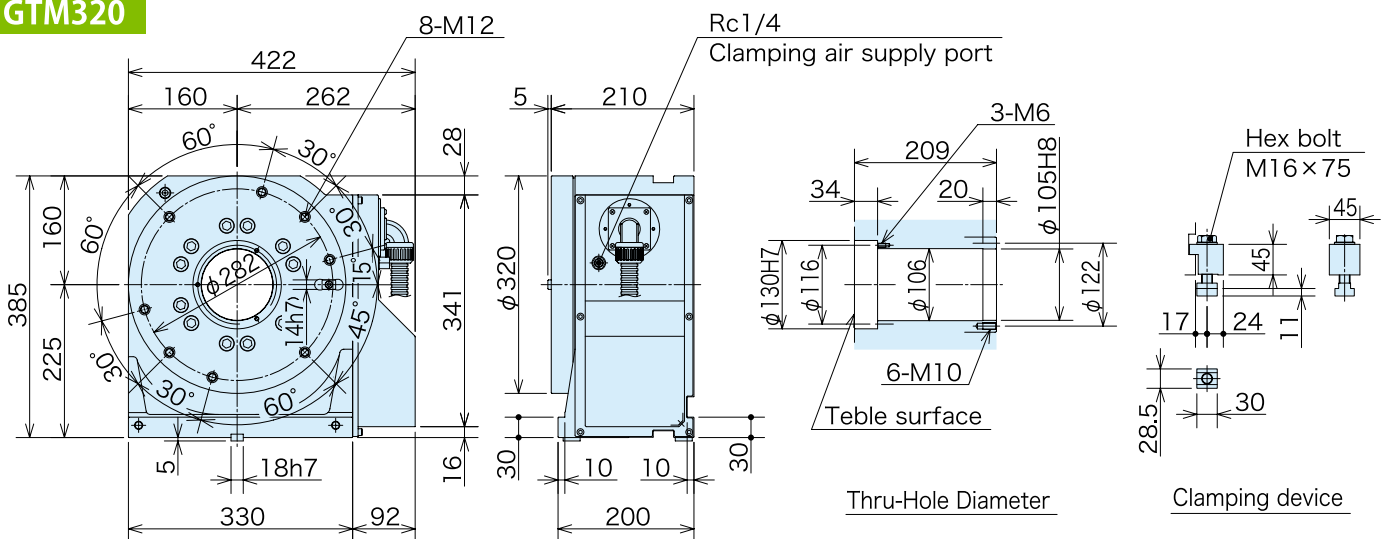


GTM200 • 250

(Unit : mm)

Model	A	B	C	D	E	F	G	H	J	K	M	N	P	Q	R	S	T	U	V	W	X	Y	A1
GTM200	364	105	259	250	140	110	250	114	φ 170	8-M10	178	φ 200	173	10	10	177	3-M5	φ 65H7	φ 53	φ 46	φ 55	φ 45H8	6-M6
GTM250	387	125	262	305	180	125	275	112	φ 208	8-M12	185	φ 250	180	9	9	184	3-M6	φ 100H7	φ 86	φ 71	φ 83	φ 70H8	6-M8

GTM320



KITAGAWA

Machine Tool Accessories <http://www.mta.kiw.co.jp/>

KITAGAWA IRON WORKS CO., LTD.

77-1 Motomachi, Fuchu-shi, Hiroshima-pref. 726-8610, Japan
 TEL +81 847-40-0526 FAX +81 847-45-8911

· Specifications and outside appearance are subject to change without notice due to ongoing research and development.
 · The color of the actual product may be different from the catalogue's due to printing matters.
 · Catalogue contents as of 2009.9
 · The products herein are controlled under Japanese Foreign Exchange and Foreign Trade Control Act. In the event of importing and/or exporting the products, you are obliged to consult KITAGAWA as well as your government for the related regulation prior to any transaction.